



GTSM-24V800FUS

Shanghai Green Tech Co.,Ltd.

(GT Confidential)



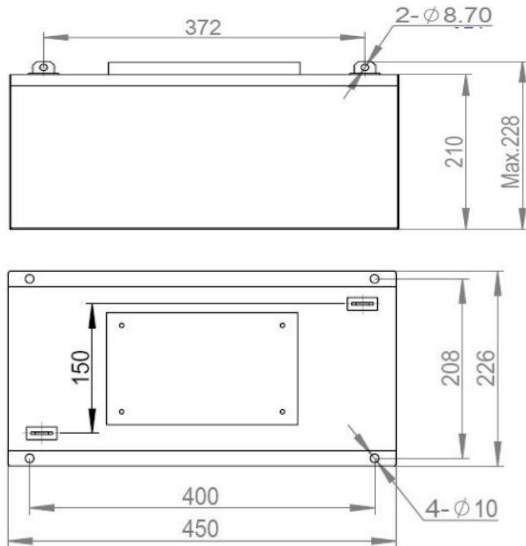
Feature:

- Low ESR
- More than 1,000,000 times cycle life
- With unit balancing PCB
- Hard-packed, Screw terminal

Application:

- Telecommunication
- UPS
- Electrical power system
- Automotive start assist
- Industrial
- Transportation

Size:



Size (mm)				
L	W	H	P	d
450	226	228	372	150

Specification

GT PN.	capacitance	Max. ESR(mΩ)		Max. Continuous Current (A,ΔT=15°C)	Leakage current(mA) @25°C after 72hrs self discharge	Energy storage (Wh)	Energy Density (Wh/kg)	Weight (kg)
		AC	DC					
GTSM-24V-800FUS	800F	2	3	80	5.5	24	1.12	25

Rated Voltage	24VDC
Max. operating voltage	27VDC
Capacitance Tolerance	-10~+20% (25°C)
Operating Temperature	-40°C~+65°C
Storage Temperature	-40°C~+70°C
Use life	10 years
Cycle life	After 1,000,000 times of cycles between U_0 , $1/2U_0$ at RT, $ \Delta C/C \leq 30\%$, $ESR \leq 4$ times of specified ESR (25°C)